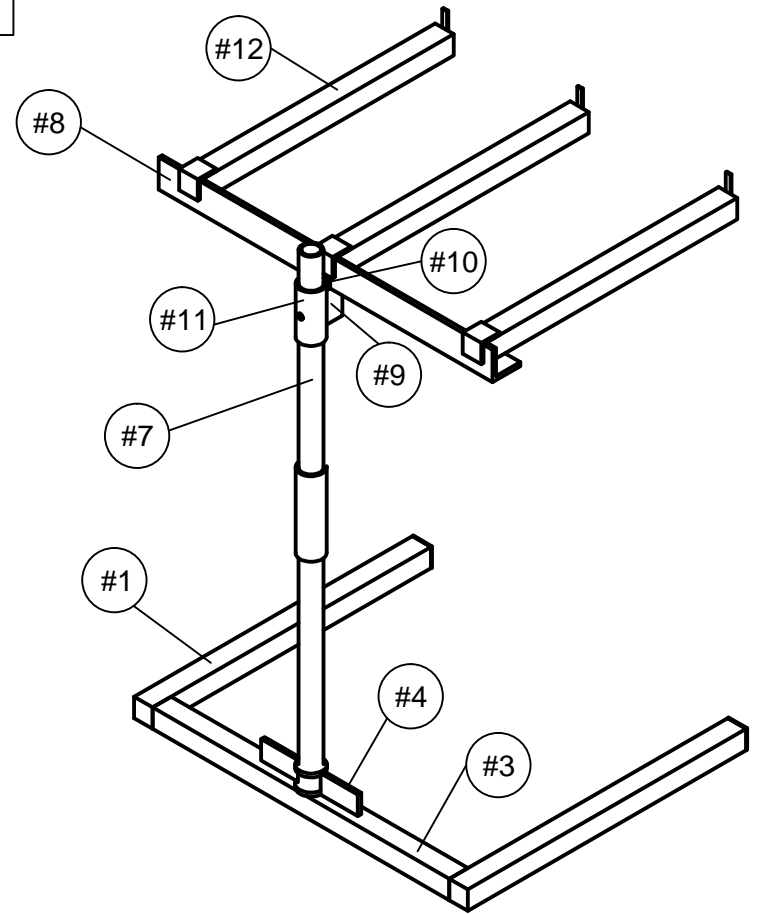
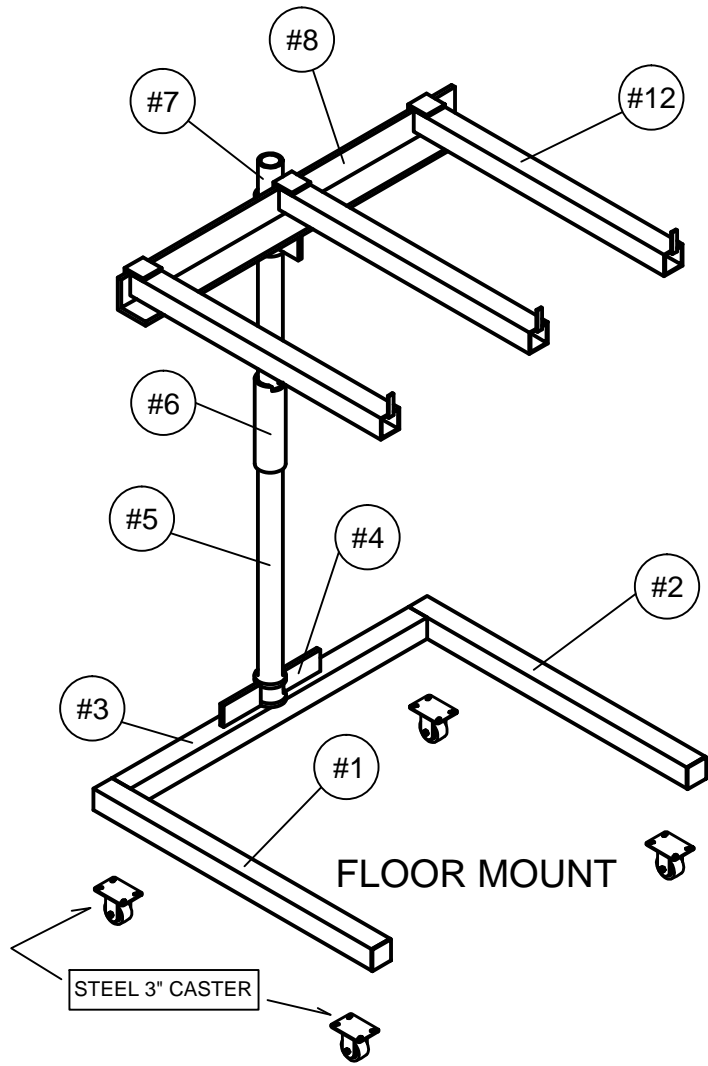


S/W 512R LARGE COIL RACK



CASTERS ALLOW COILS TO BE ROLLED FROM WINDING MACHINE TO WORK STATION.

DESIGNED FOR LARGE MOTORS COIL WEIGHT TO 200 LBS